

WiseSheet Polymer Desiccant Sheet

Technical Data Sheet

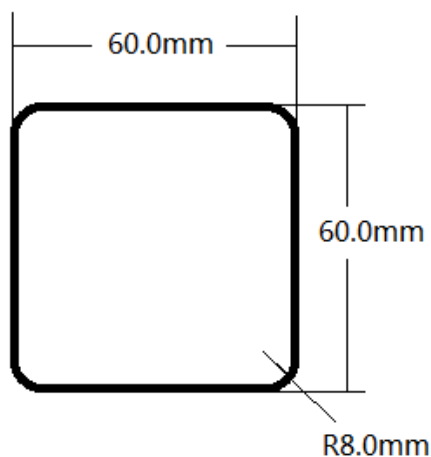
• **Product No.** DTP06506

• **Product Structure:** PP, Molecular sieve

• Product Specification

Appearance	The surface is clean and tidy, with no obvious burr, no obvious color difference, no obvious odor, and other defects.
Thickness (mm \ in)	0.60±0.06 \ 0.0236±0.0024
Grammage (g/pcs \ oz/pcs)	2.66±0.18 \ 0.0939±0.0064
Length (mm \ in)	60.0±0.5 \ 2.362 ±0.020
Width (mm \ in)	60.0±0.5 \ 2.362 ±0.020
Moisture Adsorption Capacity (25°C, RH40%) (mg/pcs \ gr/pcs)	≥ 319 \ 4.91
Moisture Content (105°C) (%)	≤1.0
Total Residual Solvent (mg/m ²)	≤5.0
Benzene Residue (Test Limit<0.01mg/m ²)	None detected
Heavy Metal (ppm)	≤1
TAMC (cfu/100cm ²)	≤1000
TYMC (cfu/100cm ²)	≤100
E.COLI (cfu/100cm ²)	None detected

• Pouch illustration



• Product Storage

Products should be kept in dry, clean and chemical-free warehouses. Prevent contact with acids and alkalis, and prevent damage to the outer packaging. Avoid sunlight and rain and snow, moisture-proof, fireproof.

Disclaimer: All the above information is based on the known information of the manufacturer and the test and test results. The dealer or user can decide the value of its performance index and the use of the product according to their own requirements. The applications, uses, operations, etc. are not specified, and users are responsible for their own uses and operations.